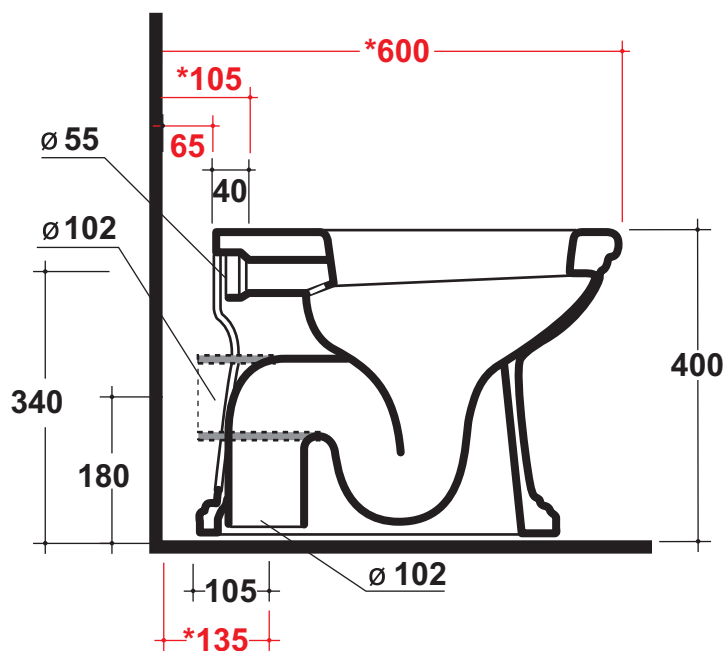
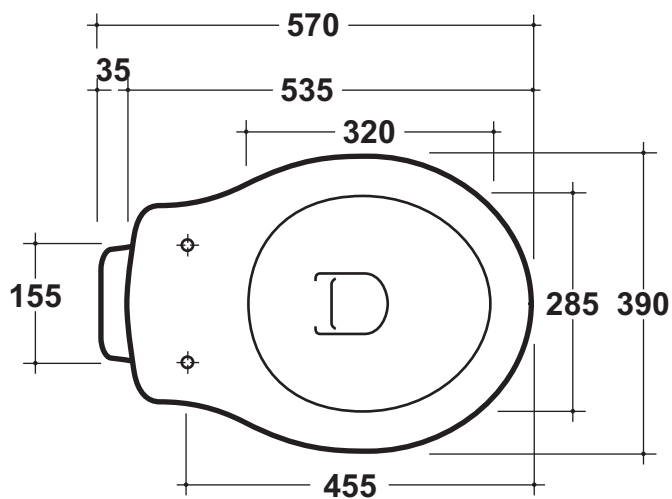


Art.01.11/Art.02.11 Kg. 18/Kg. 18

Vaso/S scarico pavimento
Wc bowl trap for vertical drain floor

Vaso scarico P/parete
Wc bowl trap for horizontal drain wall



***Quota di installazione consigliata**
Advised measure for installation